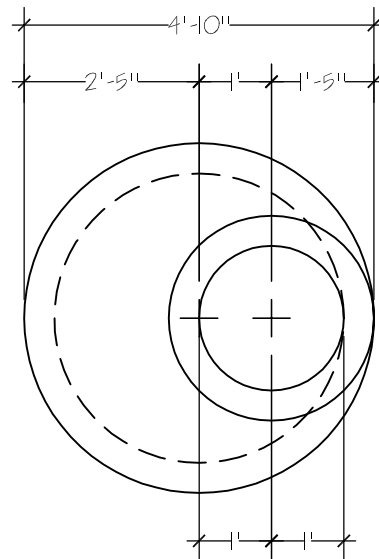
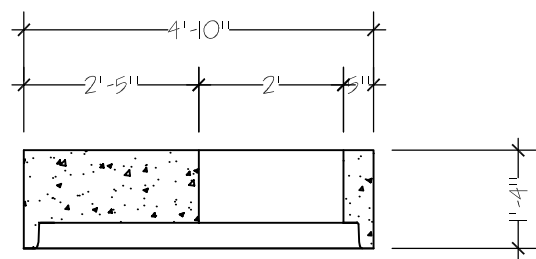


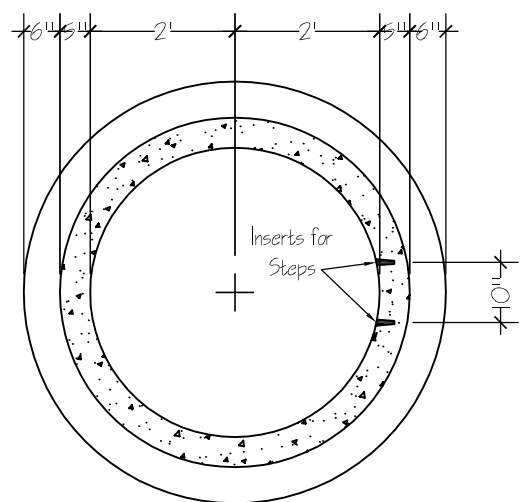
12" Flat Top for 48" Dia. Manhole; Top View



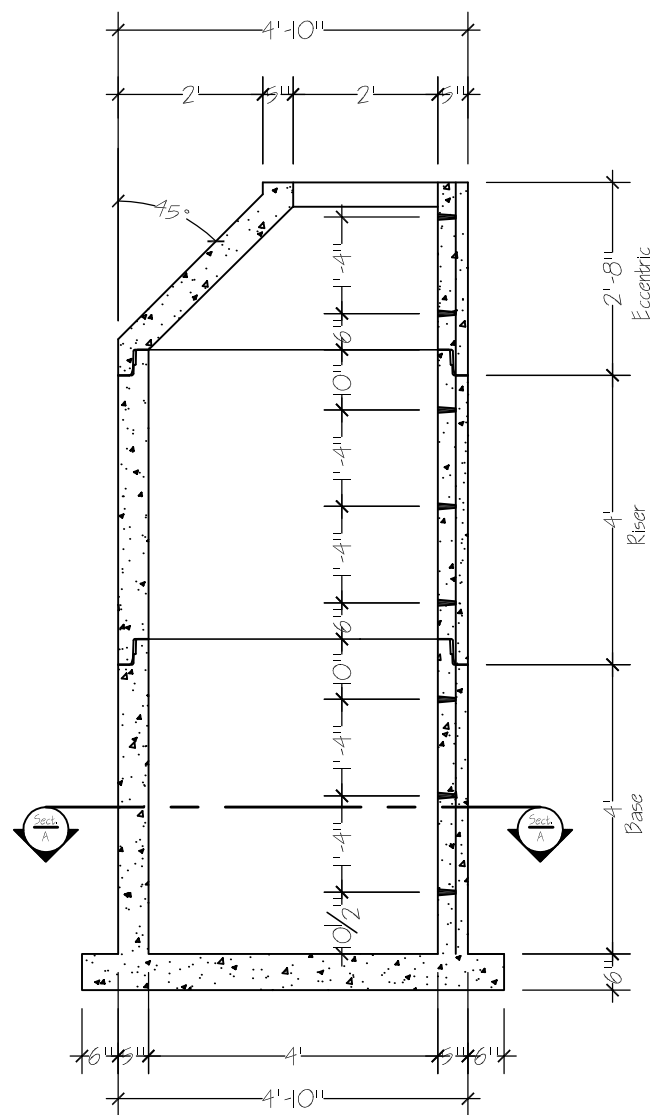
48" Dia. Manhole; Eccentric Top View



12" Flat Top for 48" Dia Manhole



48" Dia. Manhole Section A



48" Dia. Manhole Vertical Section Through Centerline

Date  
 Expl: 1/1/2014

Septic Tanks

Septic Tanks

Three Forks Lumber and Ready Mix  
 109 N 1st Avenue East  
 P. O. Box 156  
 Three Forks, MT 59752  
 Phone: 406-285-3281  
 trreadymix@gmail.com

Date: August 1, 2014  
 Drawn By: DJF  
 Scale: N/A

MI  
 48" dia. manhole