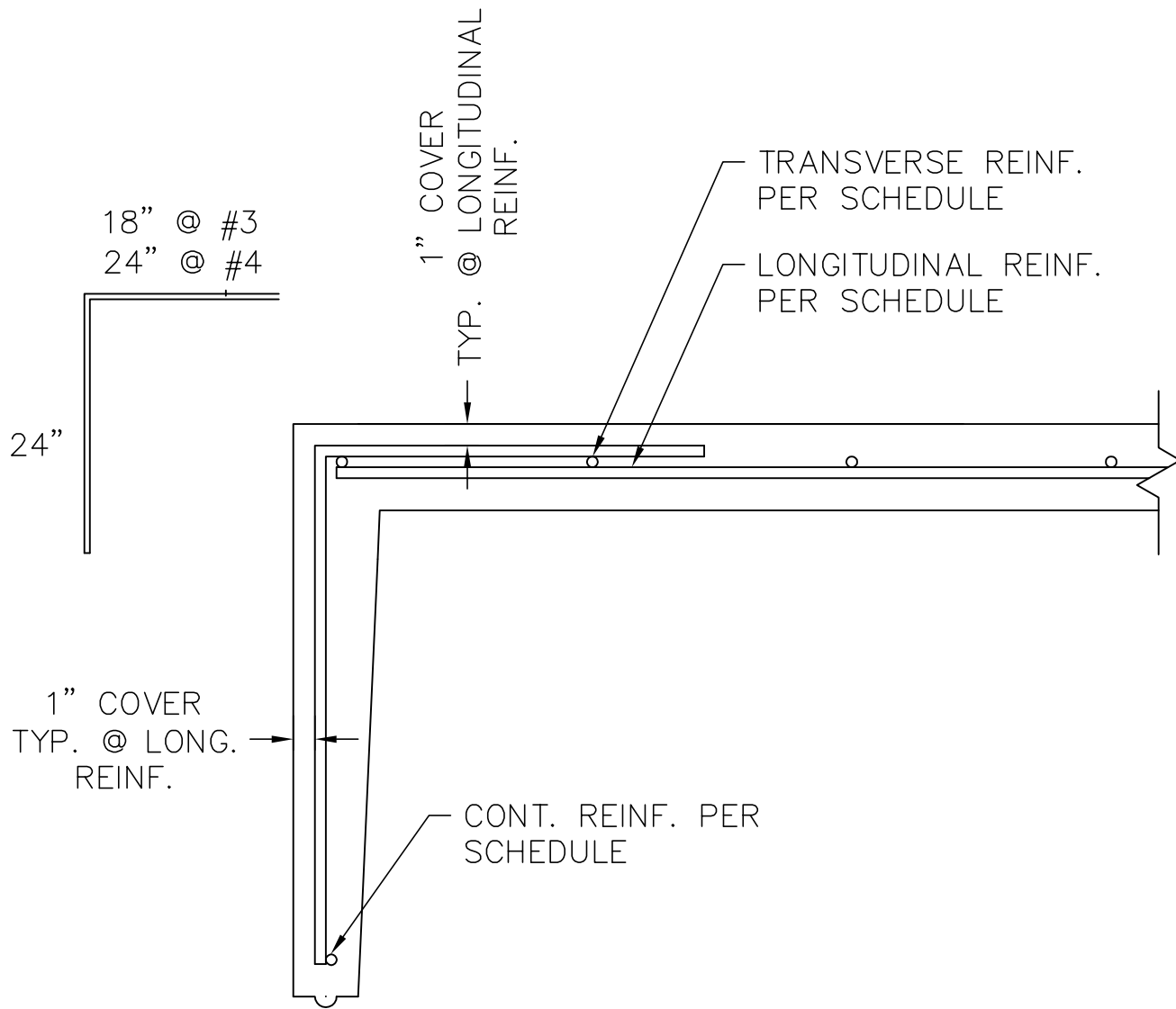
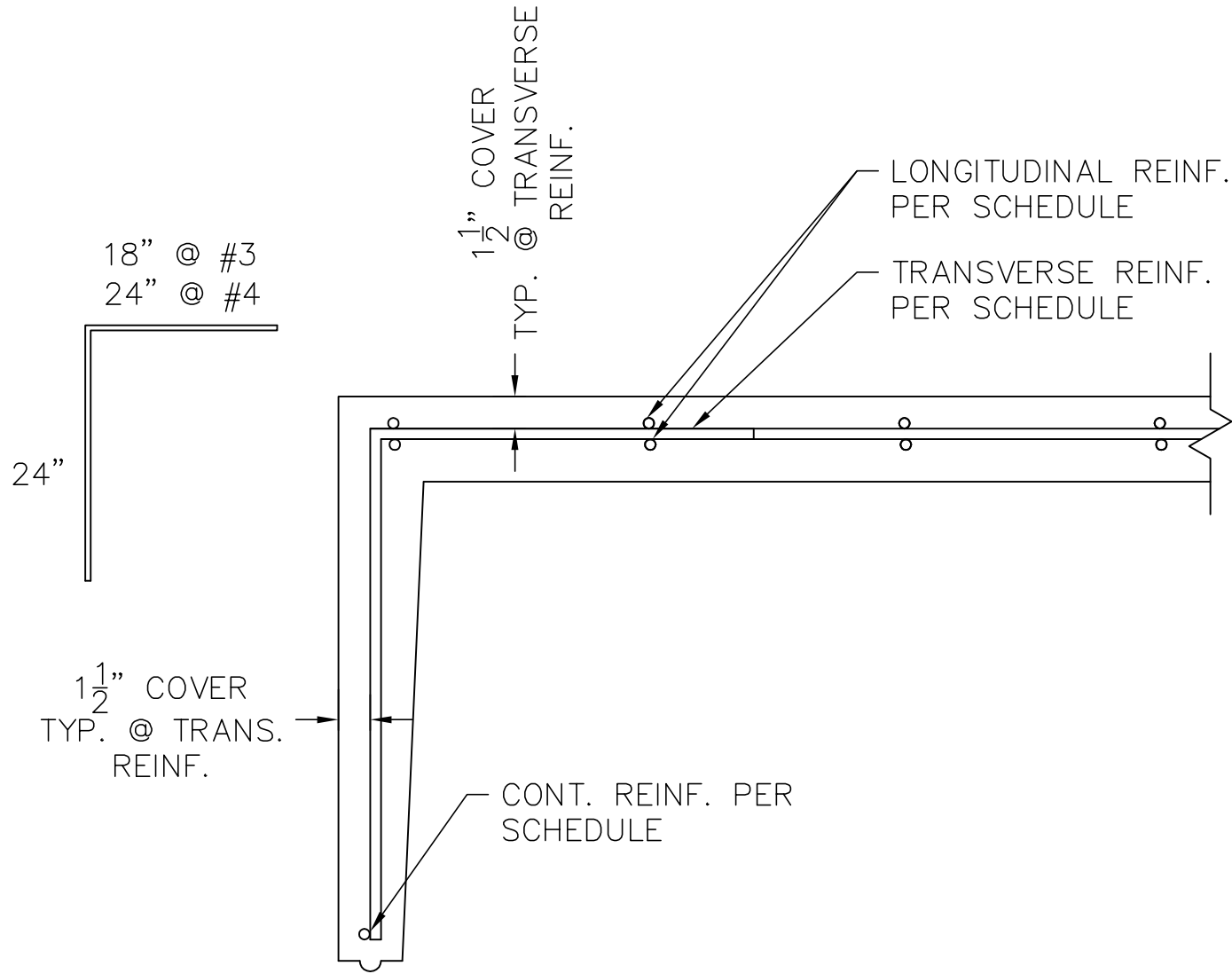


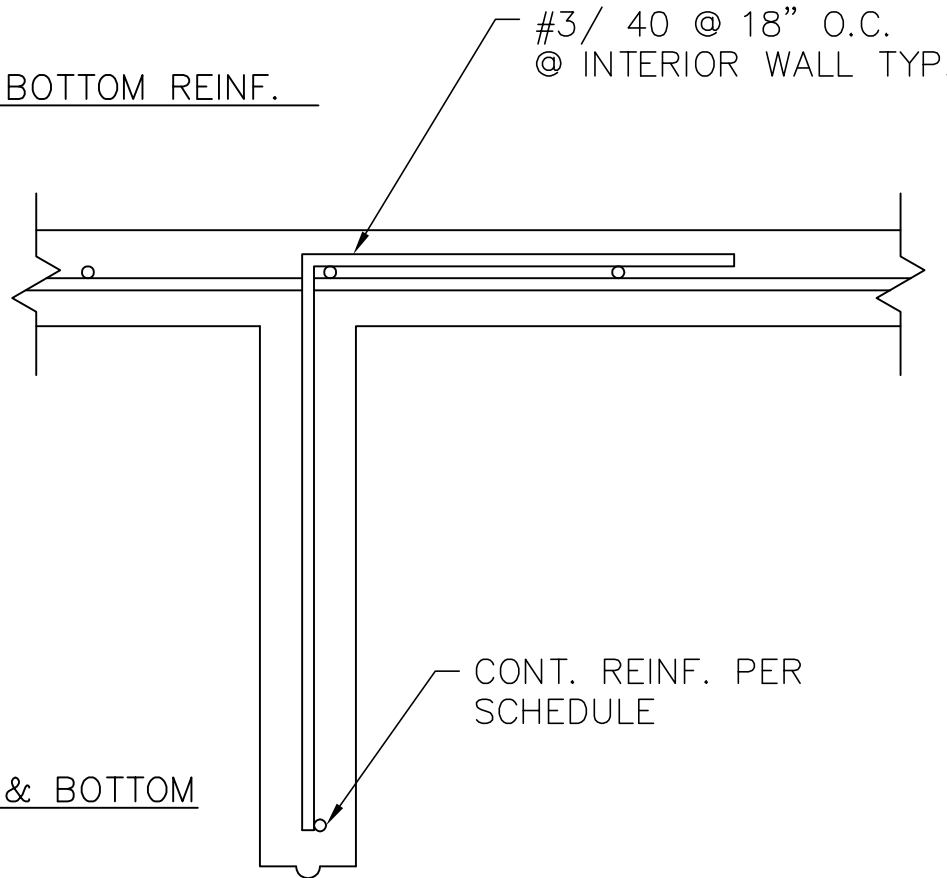
Three Forks, Montana  
 (406) 579-4758  
 www.wilsonengineer.com



1 LONGITUDINAL TOP & BOTTOM REINF.  
 R1 SCALE 1 1/2"=1'-0"



2 TRANSVERSE TOP & BOTTOM REINF.  
 R1 SCALE 1 1/2"=1'-0"



3 INTERIOR WALL REINF. TOP & BOTTOM  
 R1 SCALE 1 1/2"=1'-0"

**TANK REINFORCING:**

0' TO 2' BURY RESIDENTIAL

#3/40 @ 8" O.C. LONGITUDINAL & 12" O.C. TRANSVERSE @ TOP  
 #3/40 @ 12" O.C. EA. WAY @ BOTTOM

2'-1" TO 6' BURY RESIDENTIAL  
0' TO 2' BURY NON-RESIDENTIAL

#4/60 @ 8" O.C. LONGITUDINAL & 12" O.C. TRANSVERSE @ TOP  
 #3/40 @ 8" O.C. EA WAY or #4/40 @ 12" O.C. EA. WAY @ BOTTOM

2'-1" TO 6' BURY NON-RESIDENTIAL

#4/60 @ 8" O.C. EA. WAY @ TOP  
 #3/40 @ 8" O.C. EA. WAY or #4/40 @ 12" O.C. EA. WAY @ BOTTOM

MONOLITHIC TANK REINFORCING  
 NON-TRAFFIC RATED  
 THREE FORKS LUMBER AND READY MIX  
 THREE FORKS, MT

DESIGNED	EOW
DRAWN	EOW
CHECKED	
DATE	3-24-17
2	XXX
3	XXX
4	XXX
5	XXX