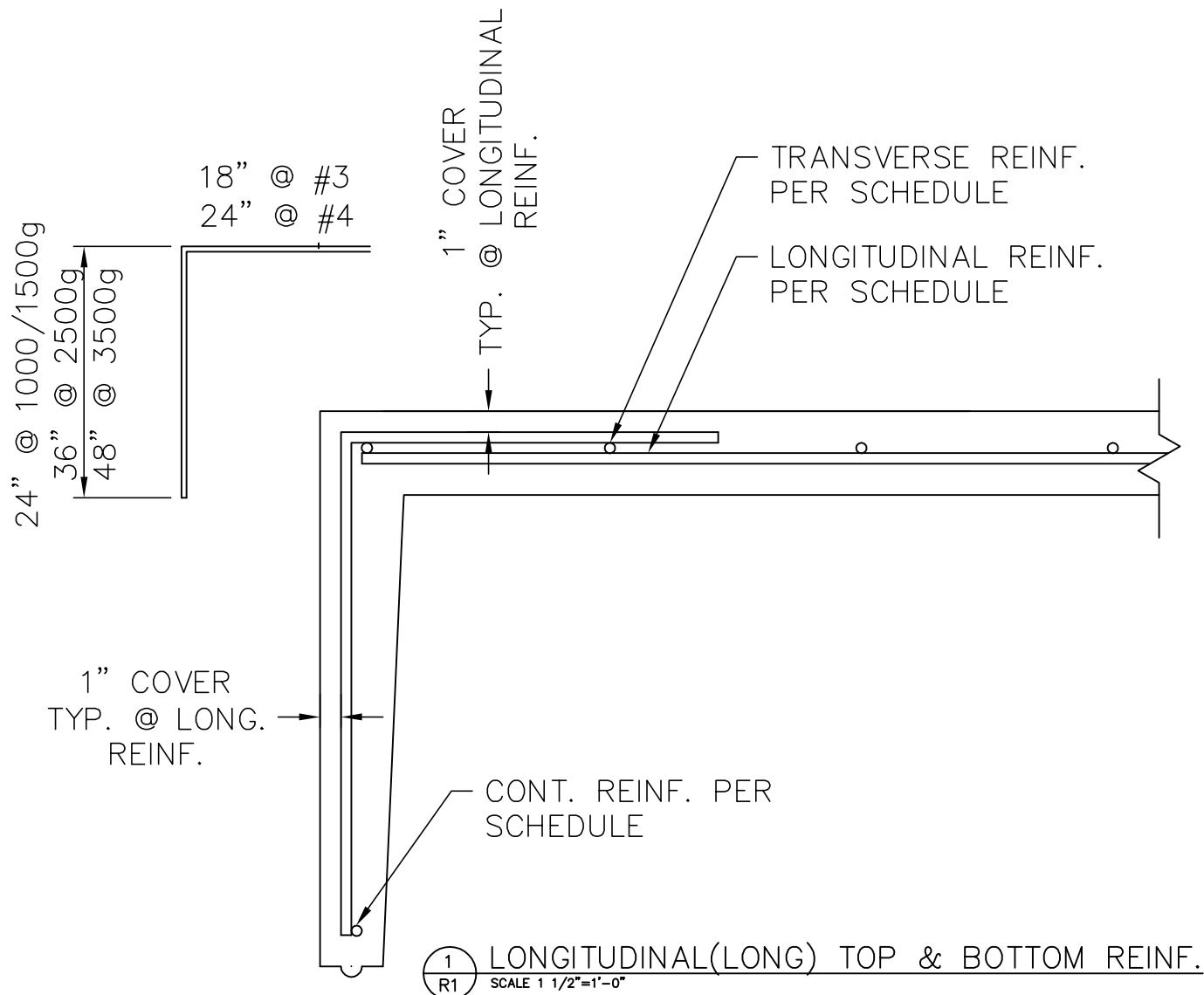
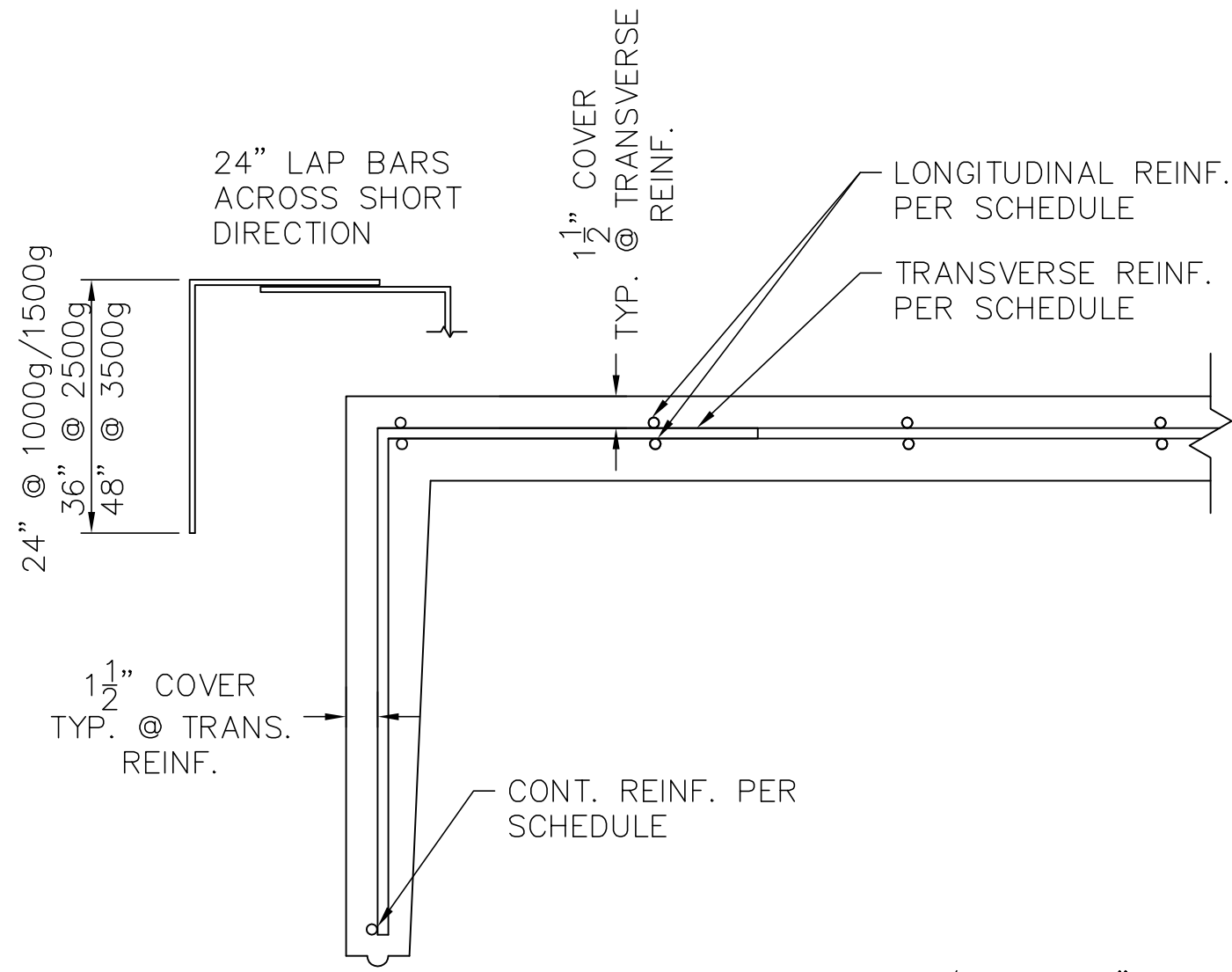


Three Forks, Montana
(406) 579-4758
www.wilsonengineer.com



1 LONGITUDINAL(LONG) TOP & BOTTOM REINF.
SCALE 1 1/2"=1'-0"



2 TRANSVERSE(SHORT) TOP & BOTTOM REINF.
SCALE 1 1/2"=1'-0"

TANK REINFORCING 1000G, 1500G, & 2000G TANKS:

0' TO 2' BURY RESIDENTIAL

#3/40 @ 8" O.C. LONGITUDINAL & 12" O.C. TRANSVERSE @ TOP
#3/40 @ 12" O.C. EA. WAY @ BOTTOM

2'-1" TO 6' BURY RESIDENTIAL
0' TO 2' BURY NON-RESIDENTIAL

#4/60 @ 8" O.C. LONGITUDINAL & 12" O.C. TRANSVERSE @ TOP
#3/40 @ 8" O.C. EA. WAY or #4/40 @ 12" O.C. EA. WAY @ BOTTOM

2'-1" TO 6' BURY NON-RESIDENTIAL

#4/60 @ 8" O.C. EA. WAY @ TOP
#3/40 @ 8" O.C. EA. WAY or #4/40 @ 12" O.C. EA. WAY @ BOTTOM

TANK REINFORCING 2500G & 3500G TANKS:

0' TO 2' BURY RESIDENTIAL & NON-RESIDENTIAL

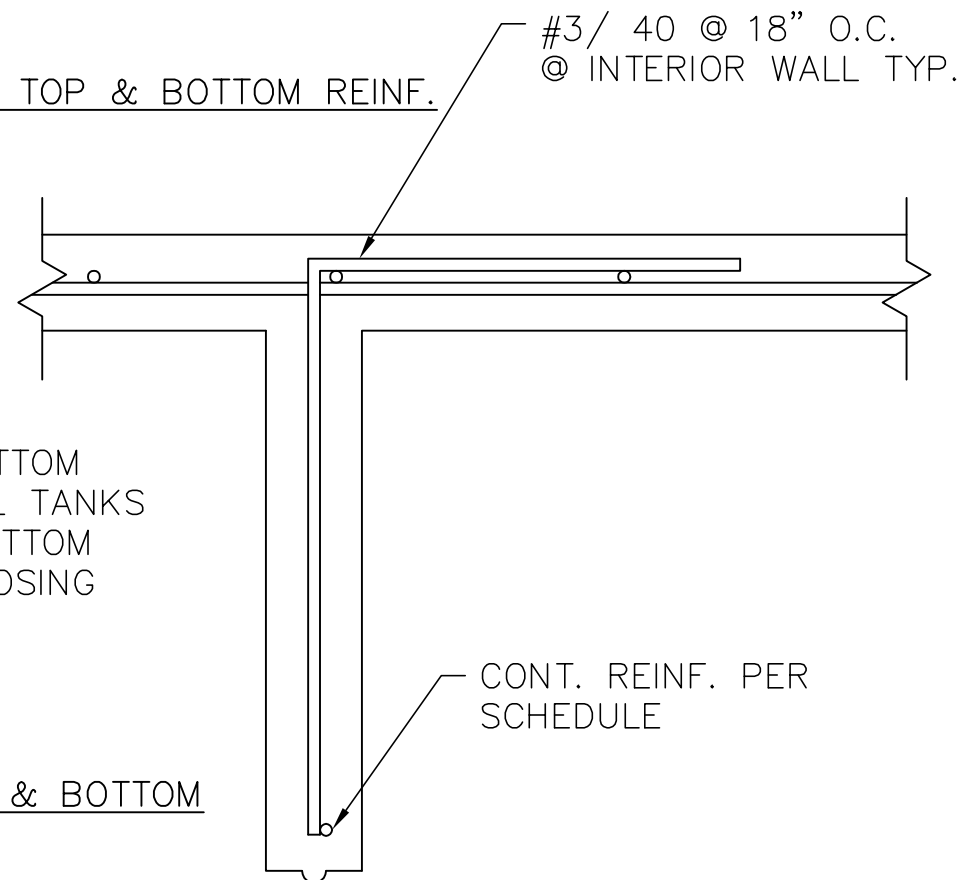
#4/60 @ 12" O.C. EA. WAY @ TOP & BOTTOM

2'-1" TO 6' BURY RESIDENTIAL & NON-RESIDENTIAL

#4/60 @ 8" O.C. EA. WAY @ TOP & BOTTOM

3 INTERIOR WALL REINF. TOP & BOTTOM
SCALE 1 1/2"=1'-0"

NOTE: REINF. BOTTOM
INT. WALL AT ALL TANKS
REINF. TOP & BOTTOM
INT. WALLS AT DOSING
TANKS ONLY



NON-MONOLITHIC TANK REINFORCING
NON-TRAFFIC RATED

THREE FORKS LUMBER AND READY MIX
THREE FORKS, MT

DESIGNED	EOW
DRAWN	EOW
CHECKED	
DATE	3-24-17
2	XXX
3	XXX
4	XXX
5	XXX

SHEET

R1