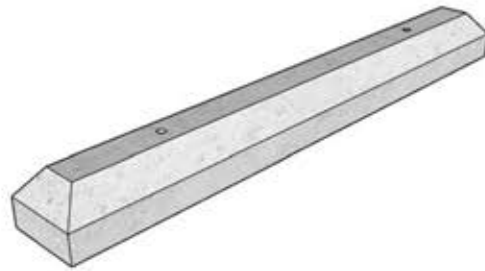
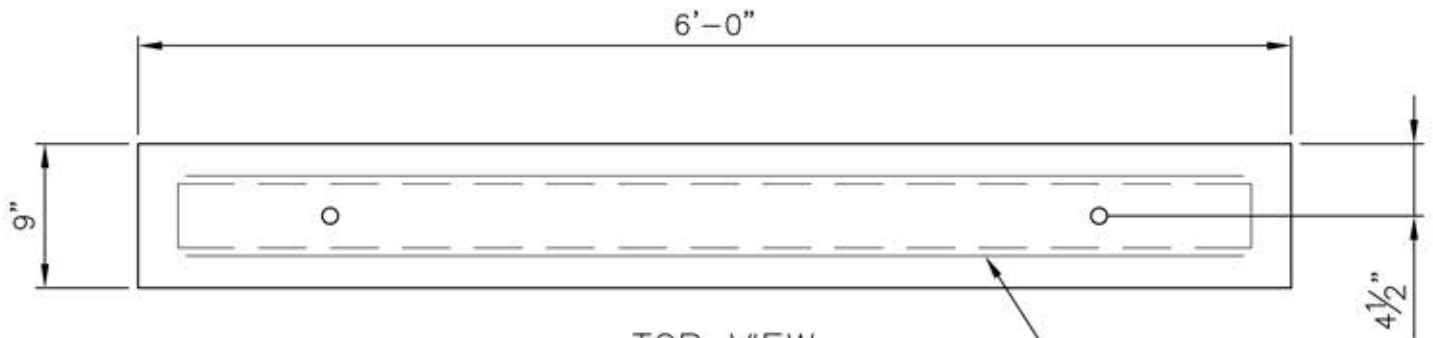


GENERAL NOTES

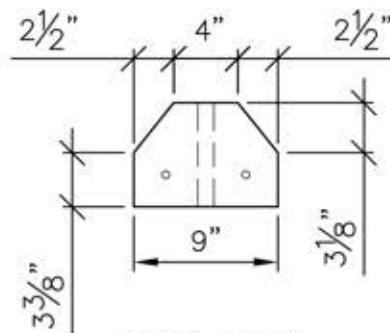
- * Concrete shall conform to applicable provisions of ACI_301 and 318.
- Minimum 28 day compressive strength (f'_c)
– 5,000 psi
- * Steel reinforcement: ASTM A615 grade 40
- * Reinforcement shall be fabricated and placed per ACI Manual of Standard Practice (ACI_315).
- * Concrete cover over reinforcing: Per drawings
- * Keep reinforcement clean and free of dirt, oil, scale.
- * Oil forms prior to placing reinforcement.



ISOMETRIC VIEW

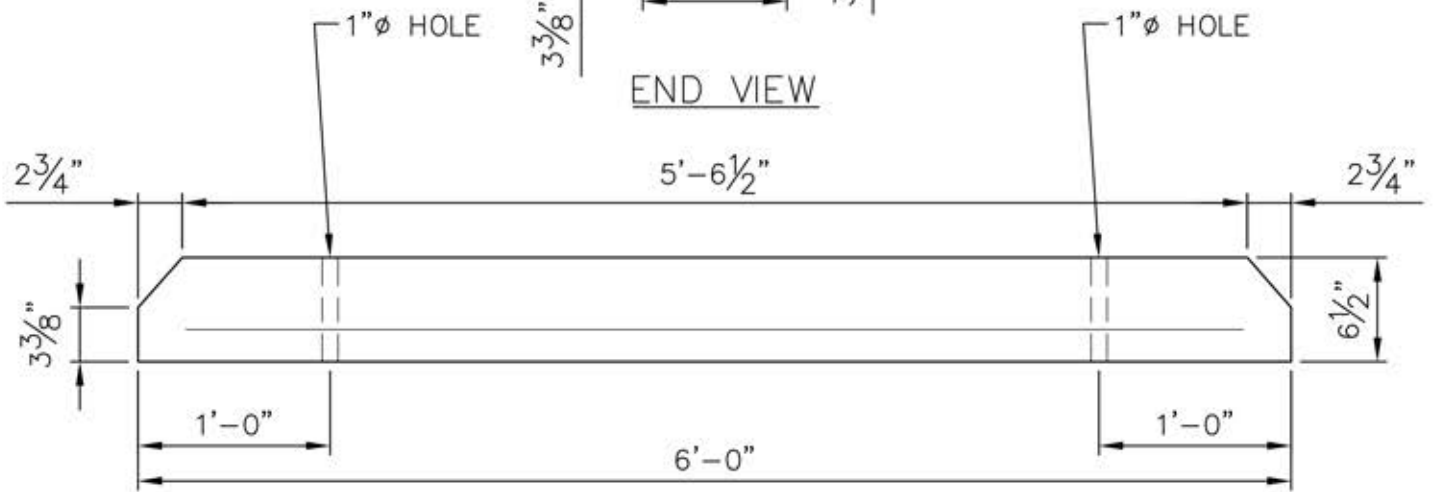


TOP VIEW



END VIEW

(2) #4 REINF. BARS
SET WITH 1/2" COVER



SIDE VIEW

SHEET

PARKING BUMPER

THREE FORKS LUMBER AND READY MIX
THREE FORKS MONTANA

PB



Three Forks, Montana
(406) 579-4758
www.wilsonengineer.com