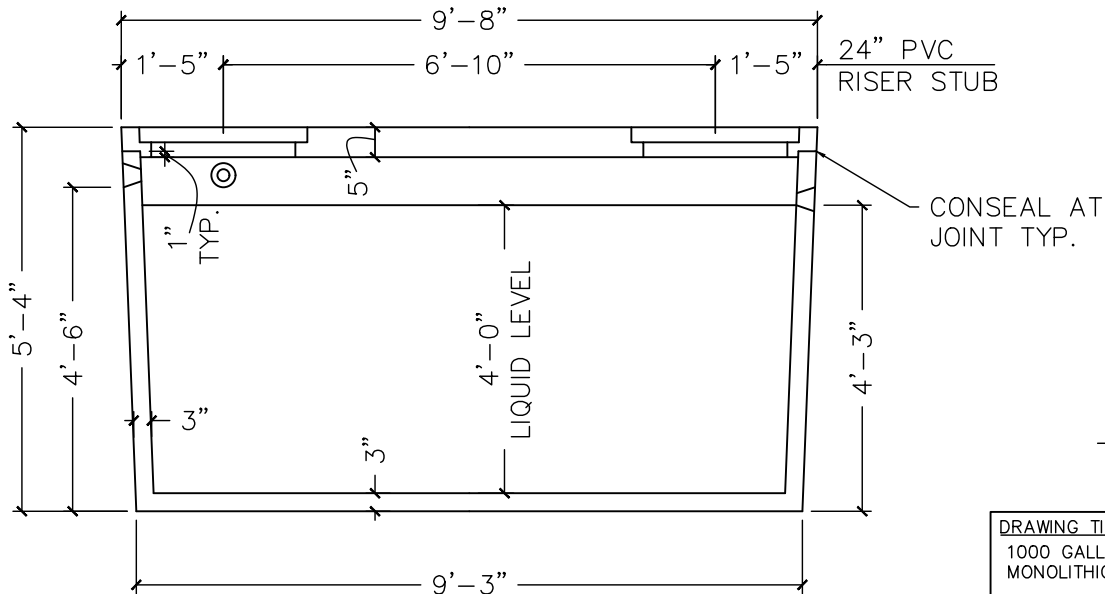


TOP VIEW  
N.T.S.



SECTION VIEW  
N.T.S.

GENERAL NOTES

- \* Concrete shall conform to applicable provisions of ACI\_301 and 318-11. Minimum 28 day compressive strength (f'c) - 5,000 psi
- \* Cement is type V with max. C3A of 8%
- \* Deformed reinforcement: ASTM A615 grade 40 & grade 60.
- \* Reinforcement shall be fabricated and placed per ACI Manual of Standard Practice (ACI\_315). At splices, lap bars 24" unless noted otherwise.
- \* Concrete cover over reinforcing: 1" min. See also drawings.
- \* Keep reinforcement clean and free of dirt, oil, scale. Oil forms prior to placing reinforcement.
- \* Tank to bear on suitable stone free native bearing soil or on 6" minimum of 1 1/2" minus material over suitable native bearing soil.
- \* Backfill around and over tank with compact granular (sandy) soil free of large clumps of clay and rocks over 3" in diameter. Design Ka=.32
- \* Backfill carefully and evenly in 12" lifts. Design soil density - 110 pcf
- \* Tank not designed to be placed below ground water table
- \* Tank not designed for traffic loading.
- \* Final grading of the surface to avoid channeling surface water towards tank.
- \* Tank designed to meet MT DEQ-4, ASTM C1227-13, ASTM C890-13
- \* Tank must be backfilled to top prior to watertesting.
- \* Tank reinforcing as required by site location.

<u>DRAWING TITLE:</u> 1000 GALLON SINGLE MONOLITHIC TANK
<u>PROJECT:</u>
<u>SUPPLIER:</u> THREE FORKS LUMBER AND READY MIX, INC.
<u>ENGINEER:</u> WILSON ENGINEERING, PLLC
<u>ENGINEER STAMP</u>