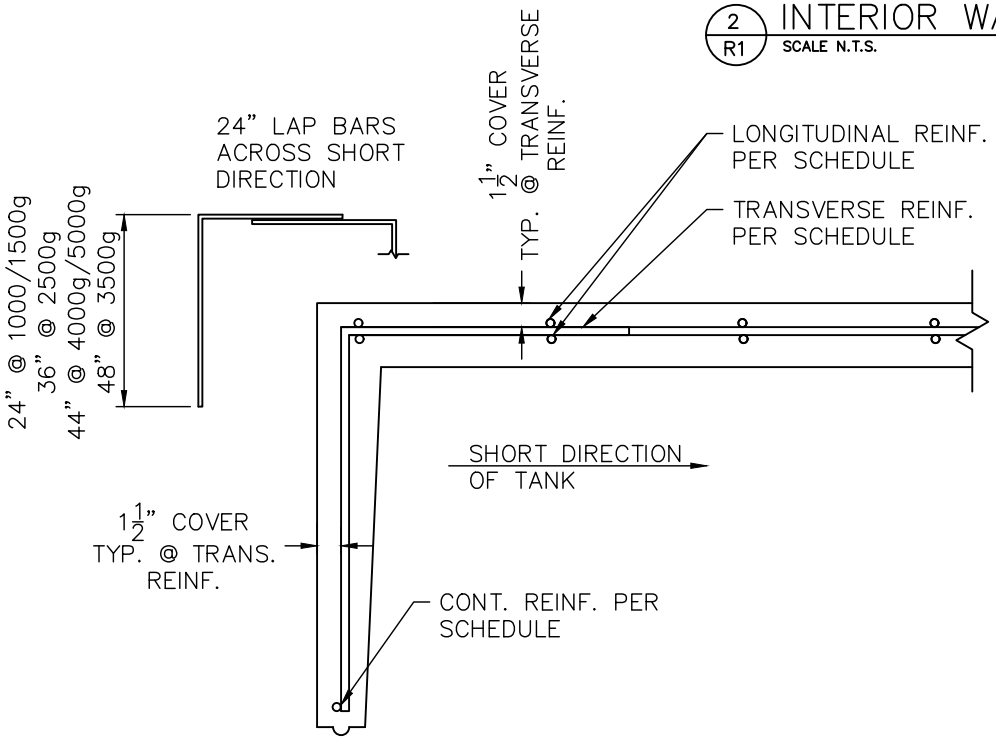


NOTE: REINF. BOTTOM INT. WALL AT ALL TANKS  
 REINF. TOP & BOTTOM INT. WALLS AT DOSING TANKS ONLY

**1** LONGITUDINAL(LONG) TOP & BOTTOM REINF.  
 R1 SCALE: N.T.S.

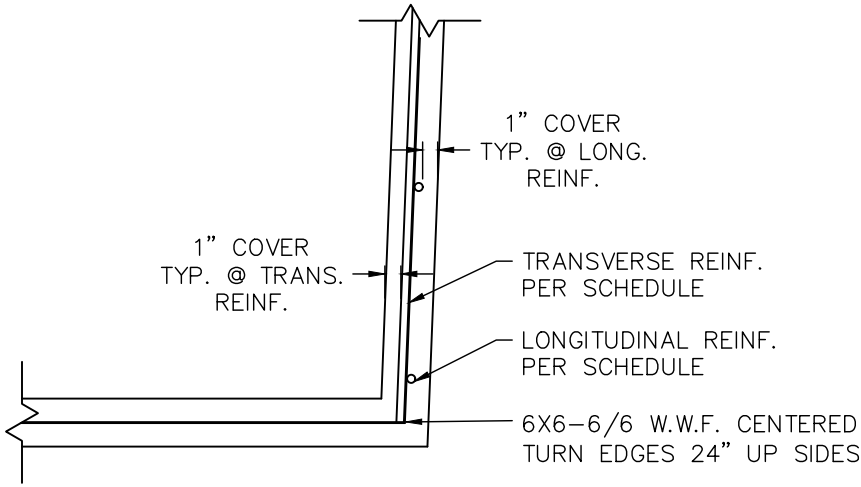
NON-MONOLITHIC TANK REINFORCING NON-TRAFFIC  
 0' TO 6' BURY  
 #4/60 @ 8" O.C. EA. WAY @ TOP & BOTTOM

**2** INTERIOR WALL REINF. TOP & BOTTOM  
 R1 SCALE N.T.S.



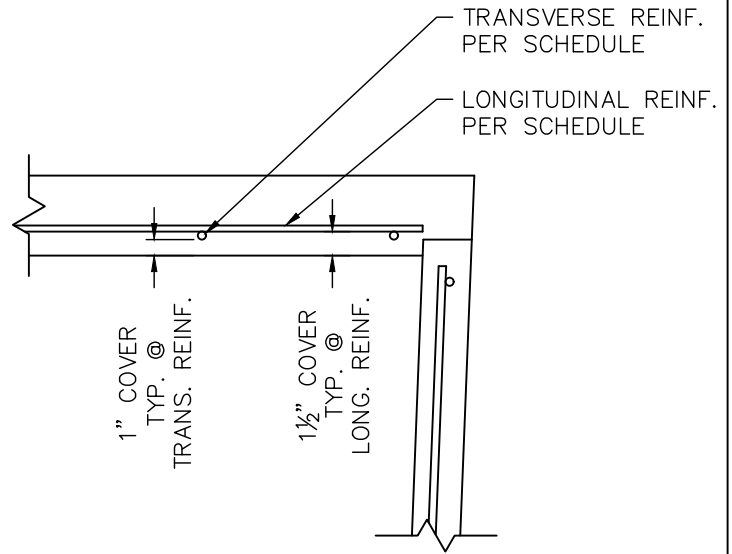
**3** TRANSVERSE(SHORT) TOP & BOTTOM REINF.  
 R1 SCALE N.T.S.

<b>DRAWING TITLE:</b> R1 NON-MONOLITHIC, NON-TRAFFIC REINFORCING DETAILS
<b>PROJECT:</b>
<b>SUPPLIER:</b> THREE FORKS LUMBER AND READY MIX, INC.
<b>ENGINEER:</b> WILSON ENGINEERING, PLLC
<b>ENGINEER STAMP</b>

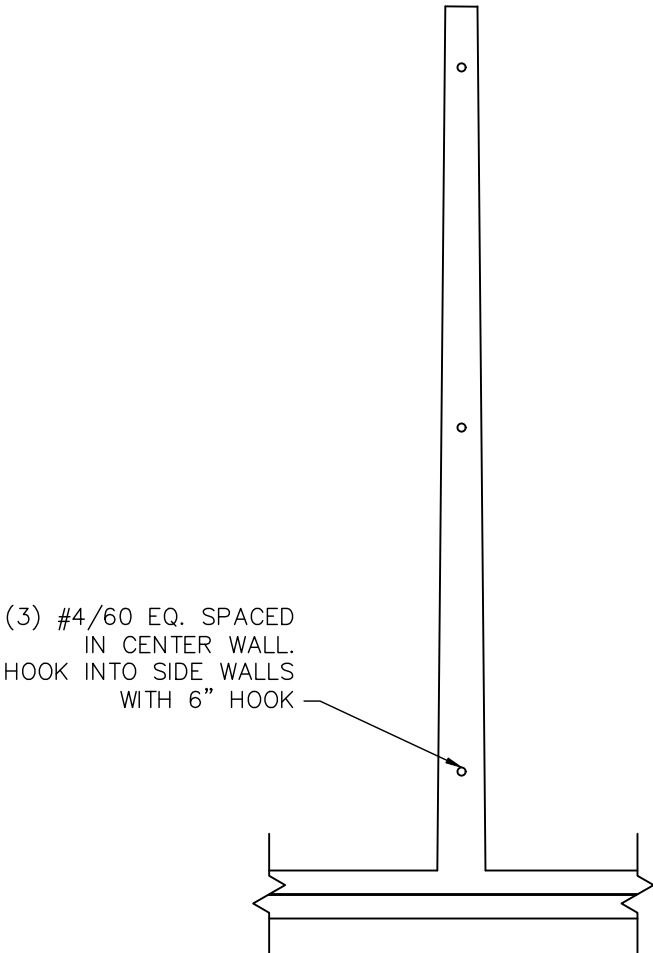


**1** BOTTOM REINFORCING  
 R2 SCALE: N.T.S.

NON-MONOLITHIC TANK REINFORCING NON-TRAFFIC  
 0' TO 6' BURY  
 #4/60 @ 8" O.C. EA. WAY



**2** TOP REINFORCING  
 R2 SCALE: N.T.S.



**3** INTERIOR WALL REINFORCING  
 R2 SCALE: N.T.S.

<b>DRAWING TITLE:</b> R2 MONOLITHIC NON-TRAFFIC REINFORCING DETAILS
<b>PROJECT:</b>
<b>SUPPLIER:</b> THREE FORKS LUMBER AND READY MIX, INC.
<b>ENGINEER:</b> WILSON ENGINEERING, PLLC
<b>ENGINEER STAMP</b>