

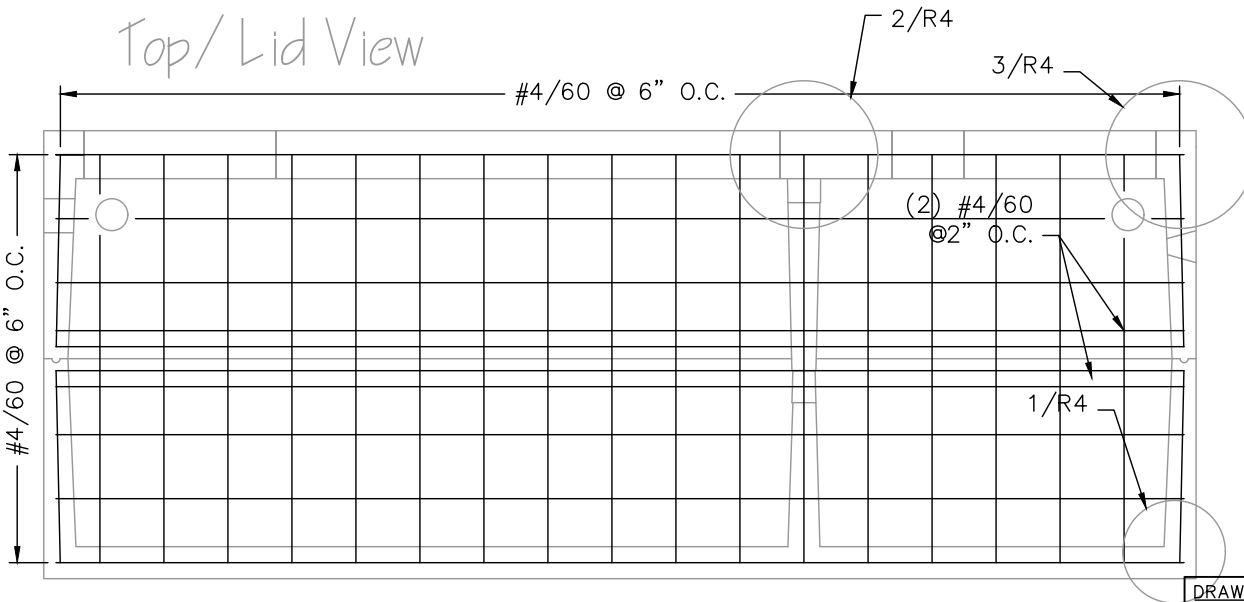
REF. DIM. PLAN FOR TANK DIM. & OPENINGS TYP.

#4/60 X28" TYP. OF 8

(2) #4 EA. END TYP.

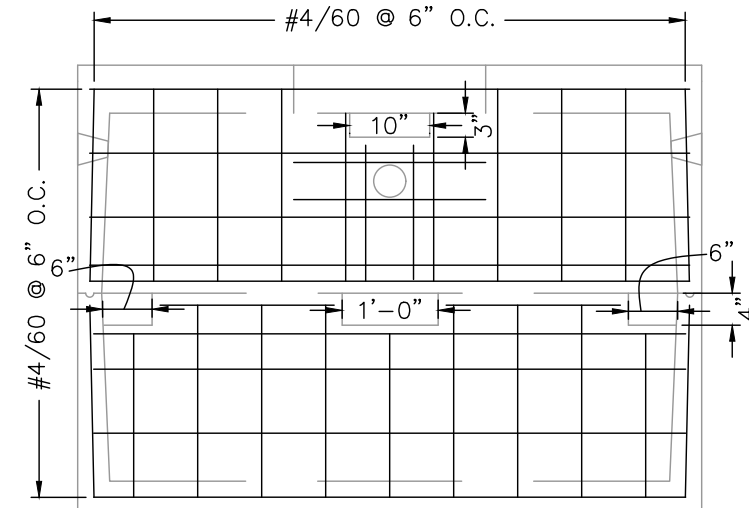
PLACE (1) #4 WITHIN 2" OF OPENINGS TYP. MIN. 24" LENGTH

Top/Lid View



End View (Outlet Wall)

Side View



DRAWING TITLE:

R3 TRAFFIC RATED TANK REINFORCING

PROJECT:

SUPPLIER:

THREE FORKS LUMBER AND READY MIX, INC.

ENGINEER:

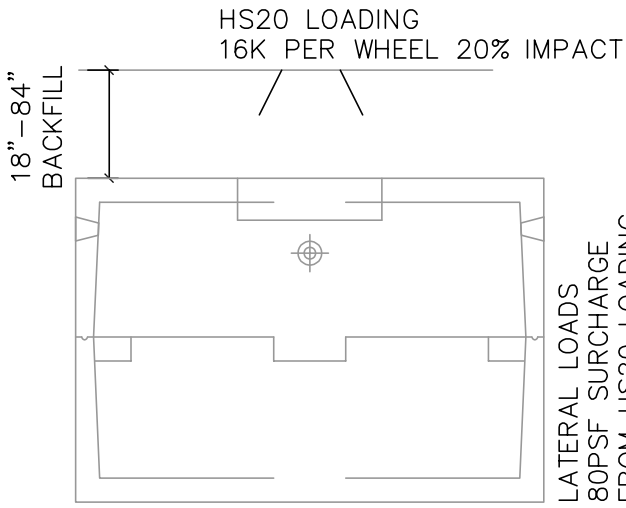
WILSON ENGINEERING, PLLC

ENGINEER STAMP

1
R3

TRAFFIC TANK REINF.

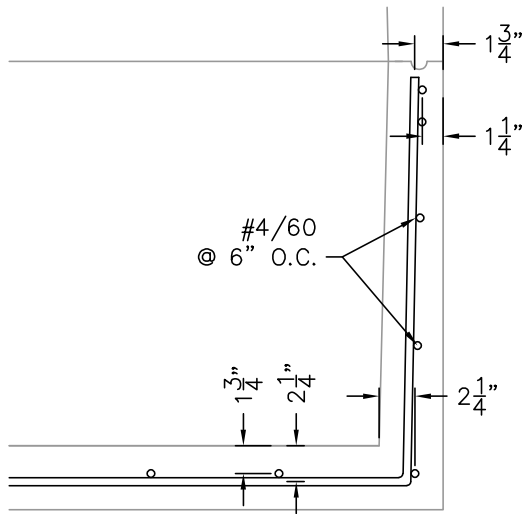
SCALE: N.T.S.



LOADING DETAIL

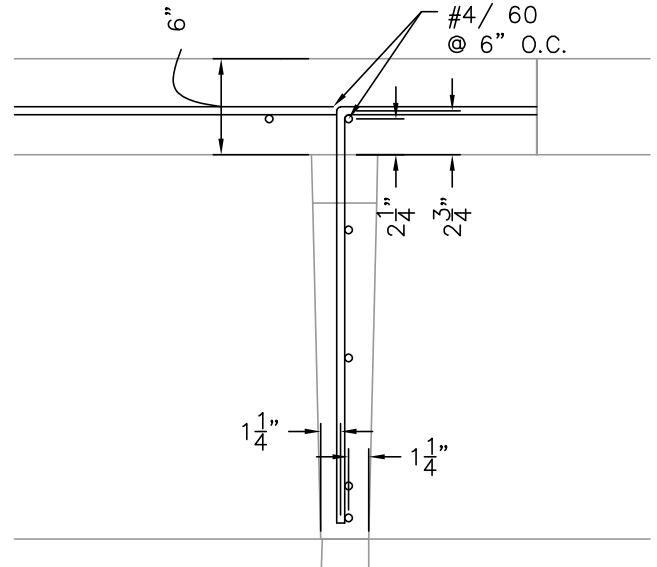
SCALE N.T.S.

WATER TABLE
MAX. BELOW
THIS LINE



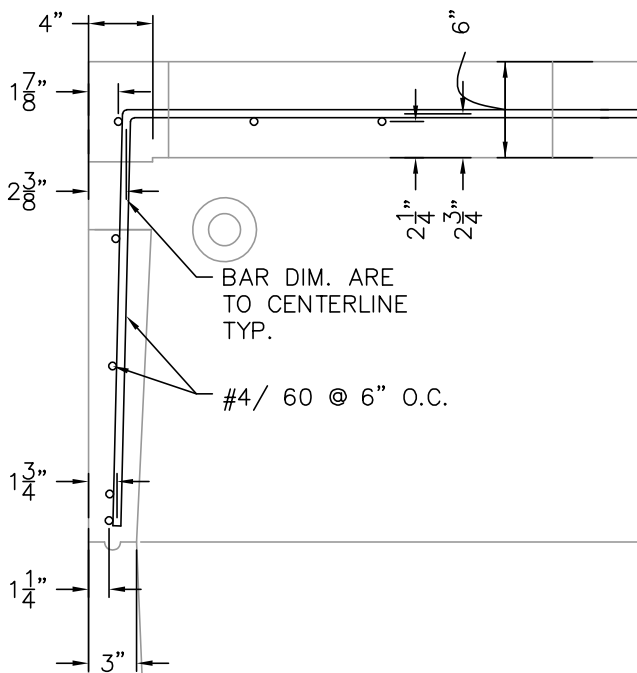
1 TRAFFIC TANK REINF.

SCALE: N.T.S.



2 TRAFFIC TANK REINF.

SCALE: N.T.S.



3 TRAFFIC TANK REINF.

SCALE: N.T.S.

DRAWING TITLE: R4 TRAFFIC RATED TANK REINFORCING
PROJECT:
SUPPLIER: THREE FORKS LUMBER AND READY MIX, INC.
ENGINEER: WILSON ENGINEERING, PLLC
ENGINEER STAMP